

ET90

Tracked Conventional Tail Excavators



**WACKER
NEUSON**
all it takes!



The economic powerhouse

The fuel consumption of the ET90 is up to 20 percent lower than with comparable models - this reduces the operating costs significantly. At the same time, it scores in applications with an excellent engine and hydraulic performance. This efficient combination provides for first-class digging power with up to 20% more bucket breakaway force. Conversely, the economical load sensing hydraulic system allows for finely controllable lifting arm movements with a full performance at the same time. Whether power or precision - the ET90 is exactly the right excavator for any application.

- Precise and sensitive operation thanks to the load sensing hydraulic system with LUDV (load-independent flow control)*
- Low consumption due to the economical ECO mode
- Up to 5 auxiliary control circuits for the most varied attachments
- Extremely compact and maneuverable
- Maintenance and service made easy due to the tiltable cabin as well as the diagnostic tool

ET90 Technical specifications

Operating data

Shipping weight min.	8,348 kg
Operating weight	8,710 - 9,988 kg
Biting force max.	46 kN
Breakout force max.	74 kN
Digging depth max.	4,679 mm
Dumping height	5,066 - 5,940 mm
Digging radius max.	7,889 mm
Superstructure slewing speed	9 1/min
L x W x H	7,117 x 2,250 x 2,562 mm

Engine / Motor

Engine / Motor manufacturer	Deutz
Engine / Motor type	TCD 2.9 DOC only
Engine / Motor	Liquid-cooled 4-cycle turbo in-line engine, direct injection, exhaust gas turbocharger and intercooling
Emission standards stage	3b
Displacement	2,920 cm ³
RPM / speed	2,300 rpm
Engine performance according to ISO	55.4 kW
Battery	88 Ah
Tank capacity	85 l

Hydraulic system

Duty pump	Variable displacement pump
Flow rate	180.5 l/min
Operating pressure for working and driving hydraulics	300 bar
Operating pressure swing gear	240 bar
Hydraulic oil tank	92 l

Undercarriage

Travel speed max.	5 km/h
Chain width	450 mm
Ground clearance	370 mm

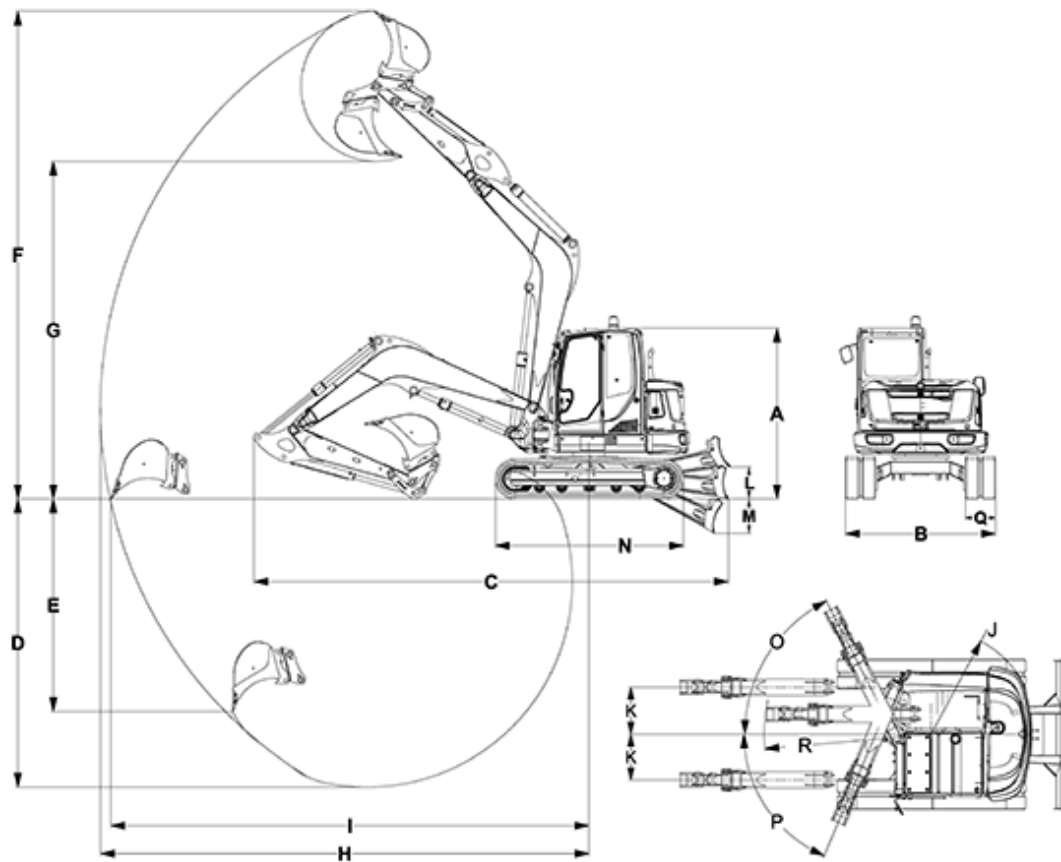
Dozer Blade

Stroke dozer blade above subgrade	479 mm
Stroke dozer blade below subgrade	518 mm

Sound level

Sound level (LwA) according to 2000/14/EC	99 dB(A)
Cabin - specified sound pressure level LpA according to ISO 6394	79 dB(A)

ET90 Dimensions



		monobloc boom	articulated boom
A	Height	2,562 mm	2,562 mm
B	Width cabin	1,000 mm	1,000 mm
B	Width revolving superstructure	2,006.9 mm	2,017 mm
B	Width traversing gear	2,250 mm	2,250 mm
B	Width dozer blade	2,250 mm	2,250 mm
C	Transport length short dipper stick	7,117 mm	6,468 mm
C	Transport length long dipper stick	7,139 mm	6,690 mm
D	Digging depth max. short dipper stick	4,325 mm	4,379 mm
D	Digging depth max. long dipper stick	4,625 mm	4,679 mm
E	Insertion depth short dipper stick	3,192 mm	3,198 mm
E	Insertion depth long dipper stick	3,474 mm	3,456 mm
F	Insertion height short dipper stick	7,322 mm	7,931 mm
F	Insertion height long dipper stick	7,529 mm	8,196 mm
G	Dump height max. short dipper stick	5,066 mm	5,674 mm
G	Dump height max. long dipper stick	5,272 mm	5,940 mm
H	Digging radius max. short dipper stick	7,331 mm	7,596 mm
H	Digging radius max. long dipper stick	7,620 mm	7,889 mm
I	Range short dipper stick	7,179 mm	7,463 mm
I	Range long dipper stick	7,474 mm	7,751 mm

J	Rear swivel radius w/o added weight	1,583 mm	1,583 mm
J	Rear swivel radius with counter weight	1,655 mm	1,655 mm
K	Arm displacement to center stick right	705 mm	705 mm
K	Arm displacement to center stick left	683 mm	683 mm
L	Lift height above subgrade	479 mm	479 mm
M	Scraping depth below subgrade	518 mm	518 mm
N	Length total traveling gear	2,826 mm	2,826 mm
N	Length traveling gear, turas guide wheel	2,233 mm	2,233 mm
O	Turning angle boom system to the right	63 °	63 °
P	Turning angle boom system to the left	67 °	67 °
Q	Chain width	450 mm	450 mm
R	Boom slewing radius center	2,503 mm	2,840 mm
--	Boom slewing radius right	2,427 mm	2,759 mm
--	Boom slewing radius left	1,969 mm	2,280 mm
--	Height dozer blade	501 mm	501 mm

Please note: that product availability can vary from country to country. It is possible that information / products may not be available in your country. More detailed information on engine power can be found in the operator's manual; the stated power may vary due to specific operating conditions. Subject to alterations and errors excepted. Applicable also to illustrations.

Copyright © 2020 Wacker Neuson SE.